

Directions (Qs. 1 to 3): Read the following information to answer the questions given.

Six books are kept one on top of the other. The History book is just above Accountancy. The Maths book is between Punjabi and Urdu. English is between History and Punjabi.

1. Which book is between the Math and English books?
[1] Accountancy [2] History [3] Urdu [4] None of these
2. Which book is at the bottom?
[1] Accountancy [2] Punjabi [3] Urdu [4] Can't be determined
3. Which book is at the top?
[1] Punjabi [2] Urdu [3] Accountancy [4] Can't be determined

Directions (Qs. 4 to 6) : Read the following information to answer the questions given.

Four friends A, B, C and D are studying together in class 10 + 2. A and B are good in Hindi but poor in English. A and C are good in Sanskrit but poor in Geography. D and B are good in Math as well as in Sanskrit.

Two persons are good in English and Geography each. Two persons are poor in Hindi and Math each.

4. Who amongst the following friends is not good in Math but good in Hindi?
[1] C [2] A [3] D [4] B
5. Which of the following pairs of friends is good both in English and in Sanskrit?
[1] A and D [2] A and C [3] C and D [4] D and B
6. Which one of the following is good in Sanskrit but poor in Geography and Hindi?
[1] A [2] D [3] C [4] B

Directions (Qs. 7 to 9) : Read the given information to answer these questions.

Mohan Dey is undecided which four movies to see this week. He is considering a spy thriller, a murder mystery, a comedy and a science fiction. The movies will be shown by TV channels STAR, SONY, B4U and HBO, not necessarily in that order, and telecast on Tuesday, Wednesday, Saturday and Sunday, not necessarily in that order.

The movie by STAR will be shown on Sunday. The spy thriller will be shown on Tuesday. The science fiction movie is shown by B4U and not telecast on Saturday. The comedy is shown by HBO channel.

7. On Wednesday Mohan Dey can watch
[1] the science fiction movie [2] the murder mystery.
[3] the spy thriller. [4] the comedy.
8. The TV channel SONY will telecast
[1] a comedy on Saturday [2] a science fiction movie on Saturday.
[3] a murder mystery on Tuesday. [4] a spy thriller on Tuesday.
9. Mohan Dey watched movies on two channels whose names come first and third in the alphabetical order. He did not watch
[1] the movie shown on Wednesday. [2] the murder mystery.
[3] the science fiction movie. [4] the movie shown on Tuesday.

Directions (Qs. 10 to 12): These questions are based on the statements given below.

Madhu and Shivani are good in Dramatics and Computer Science.

Asha and Madhu are good in Computer Science and Physics.

Asha, Pratibha and Namita are good in Physics and History.

Namita and Asha are good in Physics and Mathematics.

Pratibha and Shivani are good in History and Dramatics.

Two persons are not good in Dramatics and Computer Science each. One person is not good in Physics and History each. Two persons are not good in Mathematics.

10. Who is good in Physics, History and Mathematics, but not in Computer Science?
[1] Pratibha [2] Asha [3] Madhu [4] Namita
11. Who is good in History, Physics, Computer Science and Mathematics?
[1] Namita [2] Asha [3] Madhu [4] None of these
12. Who is good in Physics, History and Dramatics?
[1] Pratibha [2] Madhu [3] Shivani [4] Asha

Directions (Qs. 13 to 15): In each of these questions, two statements A and B are given followed by two conclusions I and II. Consider both the statements to be true even if they seem to be at variance with commonly known facts. Decide which of the given conclusions is/are definitely drawn from the given statements. Mark answer

[1] if, only II follows.

[2] if only I follows.

[3] if neither I nor II follows.

[4] if both I and II follow.

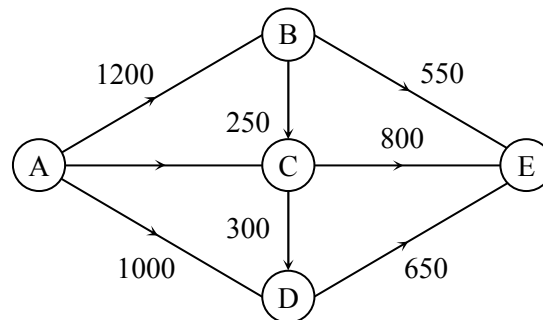
13. **Statements:**
A. If there is shortage in the production of onions, the price of onions will go up.
B. Price of onions has gone up.
Conclusions:
I. There is shortage in the production of onions.
II. Onions were exported.
14. **Statements:**
A. If all players play to their full potential, we will win the match.
B. We have won the match.
Conclusions:
I. All players played to their full potential.
II. Some players did not play to their full potential.
15. **Statements:**
A. Some businessmen are rich.
B. Soman is rich.
Conclusions:
I. Soman is a businessman,
II. Soman has a big farm.

Directions (Qs. 16 to 18): Read the information given below to answer the questions given below.

Six persons A, B, C, D, E and F are going by a car to see Agra. In this group, there are three journalists, a professor and a doctor. In the group, there are two married couples. No man in the group is a professor and a doctor. 'F' is a sick man and he lives with his married son 'C'. Among the three journalists husband of 'D' who looks after his sick father earns more than 'E', who in turn gets more pay than Sister of 'E' gets less pay than her husband 'B' but not more than 'D'.

16. Who is the professor in the group?
 [1] B [2] A [3] C [4] Can't be determined
17. Which of the following is a pair of ladies?
 [1] A, C [2] A, D [3] A, B [4] Can't be determined
18. Who among the following earns the least?
 [1] B [2] A [3] C [4] D

Directions (Qs. 19 to 21): Answer these questions based on the figure which represents the flow of natural gas through pipelines across major cities A, B, C, D and E (in suitable units). Assume that supply equals demand.



19. What is the number of units demanded in B?
 [1] 400 [2] 350 [3] 450 [4] 500
20. If the number of units demanded in C is 225. What is the value of M?
 [1] 875 [2] 1075 [3] 775 [4] 850
21. If the total demand in E is 80% of the demand in A. what is the demand in A?
 [1] 2400 [2] 2500 [3] 4500 [4] None of these

Directions (Qs. 22 to 26): Each of these questions consists of a question and two statements numbered A and B. Decide whether the data provided in the statement(s) are sufficient/necessary to answer the question. Mark answer as

- [1] if the data in statement B alone are sufficient to answer the question while the data in statement A alone are not sufficient to answer the question.
 [2] if the data in statement A alone are sufficient to answer the question, while the data in statement B alone are not sufficient to answer the question.
 [3] if the data either in statement A alone or in statement B alone are sufficient to .
 [4] if the data in both the statements A and B together are not sufficient to answer the question.
22. What is the rate of the compound interest?
 A. A certain amount invested at the compound interest rate amounts to Rs.1331.
 B. The amount was invested for a period of three years.

23. What is the present age of the mother?
A. Father's age is eight years more than the mother's age. Father got married at the age of 28 years.
B. Present age of the father is 30 years. Four years back the ratio of mother's age to father's age was 12 : 13.
24. How many boys are there in the class?
A. The class has total 45 children and ratio of boys to girls is 4 : 5.
B. The ratio of girls to boys is 4 : 5 and boys are nine more than the girls.
25. What is the difference between the two digits in a two-digit number?
A. The sum of the two digits is 8.
B. $\frac{1}{5}$ of that number is 15 less than $\frac{1}{2}$ of 44.
26. How much minimum marks will be required to pass an examination?
A. Student A secured 32% marks in that examination and he failed by 1 mark. Student B secured 36% marks in the same examination and his marks were 1 more than the minimum pass marks.
B. Student A secured 30% of the full marks in the examination and he failed by 2 marks. If he had secured 5 more marks his percentage of marks would have been 40%.

Directions (Qs. 27 to 29): Use the data contained in the passage below to answer these questions:

As per the latest budget, proposals for personal income tax : From the total salary income, $\frac{1}{3}$ of the income subject to a maximum of Rs.20,000 may be deducted as incidentals. From the dividend income, the total dividend income or Rs.15,000, whichever is lower, may be deducted. The balance after these two deductions is taxable income. The first Rs.40,000 is tax-free. Up to Rs.60,000, the tax is 10% of the income above 40,000. Above Rs.60,000 and up to Rs.1,50,000, it is Rs.2,000 plus 20% of the income over Rs.60,000. Above 1,50,000, it is Rs.20,000 plus 30% of the income above 1,50,000. From the tax so calculated, X of the investments, subject to a maximum of Rs.5,000, may be deducted as rebate. For an individual above the age of 65 years, Rs.10,000 may be deducted from the tax so calculated.

27. If a person has a salary income of Rs.1,00,000, dividend income of Rs.50,000 and invests Rs.20,000, then his income tax must be Rs.
[1] 7400 [2] 9000 [3] 13000 [4] 15,500
28. What is the maximum income that a person can have, on which no tax is due, if he plans his dividends and investments judiciously?
[1] Rs.78,000 [2] Rs.98,000 [3] Rs.1,15,000 [4] Rs.1,25,000
29. In Q. 28, what is the maximum income (in Rs) if he has no dividend income and maximum investment?
[1] 75,000 [2] 85,000 [3] 90,000 [4] 100,000
30. In a certain code language 'POETRY' is written as 'QONDSQX' and 'OVER' is written as 'PNUDQ'. How is 'MORE' written in that code?
[1] NNNQD [2] NLPQD [3] NLNQD [4] LNNQD
31. In a certain code language 'MOTHERS' is written as 'OMVGGPU'. How is 'BROUGHT' written in that code?
[1] CPRTIEV [2] DPQSIFV [3] DPRTIDV [4] DPQTIFV
32. In a certain code 'PATHOLOGIST' is written as 'P1UBQKSRHFN'. How is 'CONTROVERSY' written in that code?
[1] SUOPDNXRQDU [2] SUOPUNZTSFW [3] QSMNBPXRQDU [4] QSMNBPZTSKW

33. In a certain code 'CLOUD' is written as GTRKF". How is SIGHT written in that code?
[1] DWGJHV [2] UGHHT [3] UHJFW [4] WFJGV
34. In a certain code BREAKTHROUGH is written as EAOUHRBRGHKT. How is DISTRIBUTION written in that code?
[1] STTIBUDIONRI [2] STTIBUONRIDI [3] TISTBUONDRI [4] RISTTIBUDION
35. In a certain code BROUGHT is written as SGFVAQN. How is SUPREME written in that code?
[1] FNKSRT0 [2] RTOSDLD [3] DLDSRTO [4] DLDSTVQ

Directions (Qs. 36 to 41): Refer to the following table to answer these questions.

Year	Thermal	Hydel	Nuclear	Total
1990	7900	6390	420	14710
1991	8200	6610	420	15230
1992	8900	6780	420	16100
1993	9100	6965	640	16705
1994	10150	7530	640	18320
1995	11000	8500	610	20140
1996	12000	9200	640	21840
1997	13000	9880	640	23520
1998	15200	10200	800	26200
1999	16700	10450	800	27950
2000	19000	11000	800	30800

36. The two years when the capacities were augmented in all the sectors are
[1] 1993 and 1998 [2] 1990 and 1991 [3] 1993 and 1996 [4] 1990 and 2000
37. The percentage increase in hydel capacity over that of the previous year was maximum in
[1] 1997 [2] 1991 [3] 1999 [4] 1995
38. In 2000, the percentage share of nuclear power in the total power capacity installed was approximately
[1] 10.0 [2] 2.59 [3] 5.42 [4] 11.1
39. If the total power generated in thermal units be 40% of the installed capacity, in hydel units it be 50% of the installed capacity, and in nuclear it be 90% of the installed capacity, the total power generation in 1998 would be
[1] 19835 MW [2] 11900 MW [3] 5015 MW [4] 22100 MW
40. In 1990, the percentage share of thermal in total installed capacity was approximately
[1] 45 [2] 50 [3] 26 [4] 54
41. The growth in the installed thermal capacity between 1991 and 1999 was approximately
[1] 51% [2] 130% [3] 92% [4] 103%

Directions (Qs. 42 to 44): Each of the following incomplete arguments is followed by four sentences. One of the four alternatives [1], [2] [3] and [4] completes the argument in order to justify the conclusion. Pick that out.

42. Man learns through experience as he has initiative by nature.
[1] All who have initiative by nature learn through experience.
[2] Some who have initiative by nature learn through experience.
[3] None who has initiative by nature learns through experience.
[4] Only few with initiative learn through experience.
43. We now have to fight for peace with some courage and determination as we fought against aggression.
[1] All those who have fought against aggression should fight for peace.
[2] Many are fighting for peace who have fought against aggression.
[3] Some who are fighting for peace have fought against aggression.
[4] None is fighting for peace who have fought for aggression.
44. Education has produced a vast population able to read but unable to distinguish what is worth reading.
[1] All educated people can distinguish worth-reading materials.
[2] Many educated people cannot distinguish worth-reading materials.
[3] As much as educated people are there, it is easy to distinguish worth-reading materials.
[4] All those who are educated cannot distinguish the materials worth reading.

Directions (Qs. 45 to 47): In each of questions a few statements are given followed by four conclusions numbered I, II, III and IV. Consider the given statements to be true even if they seem to be at variance with commonly known facts. Read all the conclusions and then decide which of the given conclusions logically follow(s) from the given statements.

45. **Statements:**
A. All mirrors are phones.
B. Some phones are gadgets.
C. All gadgets are mirrors.
Conclusions:
I. Some gadgets are phones.
II. Some gadgets are mirrors.
III. Some gadgets are not mirrors.
IV. Some mirrors are phones.
[1] Only I and II follow
[2] Only I, II and IV follows
[3] Only II and III follow
[4] Either II or IV follow
46. **Statements:**
A. All rackets are jackets.
B. No cow is a cat.
C. Only cats are dogs.
Conclusions:
I. Some rackets are not cats.
II. Rome cats are jackets.
III. Some rackets are cats.
IV. No dog is a cow.
[1] Only II and IV follow
[2] Only either I or III and IV follow
[3] Only III and IV follow
[4] Only I and IV follow

47. **Statements:**
 A. All stairs are lifts.
 B. No lift is an escalator.
 C. Some escalators are helicopters.
 D. Some lifts are planes.
Conclusions:
 I. No stair is an escalator.
 II. Some helicopters are not escalators.
 III. Some stairs are planes.
 IV. Some helicopters are escalators.
 [1] Only I and IV follow
 [2] Only I and either II or IV follow
 [3] Either II or IV follows
 [4] Only I, III or IV follows

Directions (Qs. 48 to 50): Each question has a main statement followed by four statements labelled A, B, C and D. Choose the ordered pair of statements where the first statement implies the second, and the two statements are logically consistent with the main statement.

48. Every player will become a champ.
 A. Rajesh is a player.
 B. Rajesh will become a champ.
 C. Rajesh is not a player.
 D. Rajesh will not become a champ.
 [1] DA [2] AO [3] CD [4] DC
49. You can find Chinese toys only in China.
 A. I didn't find Chinese toys.
 B. I found Chinese toys.
 C. I went to the fair.
 D. I didn't go to China.
 [1] CB [2] CD [3] CA [4] AD
50. Only in Africa, you can see the African elephant.
 A. You went to Africa.
 B. You didn't go to Africa.
 C. You saw the African elephant.
 D. You didn't see the African elephant.
 [1] DB [2] AC [3] AD [4] BD

Directions (Qs. 51 to 63): Answer these questions independent of each other.

51. From a point, Rajneesh started walking towards east and walked 35 m. He then turned towards his right and walked 20 m and he again turned right and walked 35 m. Finally he turned to his left and walked 20 m and he reached his destination. Now, how far is he from his starting point?
 [1] 55 m [2] 50 m [3] 20 m [4] 40 m
52. Rama remembers that she met her brother on Saturday. Which was after the 20th day of a particular month. If the 1st day of that month was Tuesday, then on which date did Rama meet her brother?
 [1] 24th [2] 23rd [3] 25th [4] None of other
53. Introducing Rajesh, Neha said, "his brother's father is the only son of my paternal grandfather". How is Neha related to Rajesh?
 [1] Daughter [2] Sister [3] Mother [4] Niece

54. A directional post is erected on a crossing. In an accident, it was turned in such a way that the arrow which was first showing east is now showing south. A passer-by went in a wrong direction thinking it is west. In which direction is he actually travelling now?
[1] North [2] South [3] East [4] West
55. Ram's age was square of a number last year and it will be cube of a number next year. How long must he wait before his age be again the cube of a number?
[1] 10 years [2] 39 years [3] 38 years [4] 64 years
56. An office has as many four-legged chairs and as many four-legged tables as workers, and as many three-legged stools as four-legged almirahs. If the number of stools be one more than the number of workers and the total number of legs be 585, the number of workers in the office is
[1] 17 [2] 34 [3] 16 [4] Can't be determined
57. A, B, C and D play a game of cards. A says to B, 'If I give, you 8 cards, you will have as many as C has and I shall have 3 less than what C has. Also, if I take 6 cards from C, I shall have twice as many as D has.' If B and D together have 50 cards, how many cards has A got?
[1] 27 [2] 23 [3] 37 [4] 40
58. After a get together every person present shakes the hand of every other person. If there were 105 hand-shakes in all, how many persons were present in the party?
[1] 14 [2] 13 [3] 15 [4] 16
59. In a queue I am the last person while my friend is seventh from the front. If the person exactly between me and my friend is on the 23rd position from the front, what is my position in the queue?
[1] 37 [2] 36 [3] 38 [4] 39
60. A cube is to be coloured in such a way as to avoid the same colour on adjacent surface What is the minimum number of colours you will require?
[1] Four [2] Three [3] Six [4] Nine
61. There are eight poets A, H, C, D, E, F, G and H. A, B, C and D are medieval poets whereas E, F, G and H are modern poets. Questions on modern poets and medieval poets are set in the question paper every alternate year. Among the modern poets. Question-setters who like E also like R and those who like G also like H. The question setter has written a book on F and so he does not like to ask any question on F. Last year there was a question on A. On which poet will be the probable question this year?
[1] F [2] E [3] D [4] C
62. There are five books A, B, C, D and E. Book C lie above D. Book E is below A, D is above A; B is below E. Which is at the bottom?
[1] B [2] E [3] A [4] C
63. A one-rupee coin is placed on a plain paper. How many coins of the same size can be placed round it so that each one touches the central and adjacent coins ?
[1] 3 [2] 4 [3] 7 [4] 6

Directions (Qs. 64 to 68): The following table refers to hotel construction projects. The cost of the project increased at the rate of 10% per annum if completed beyond 1997.

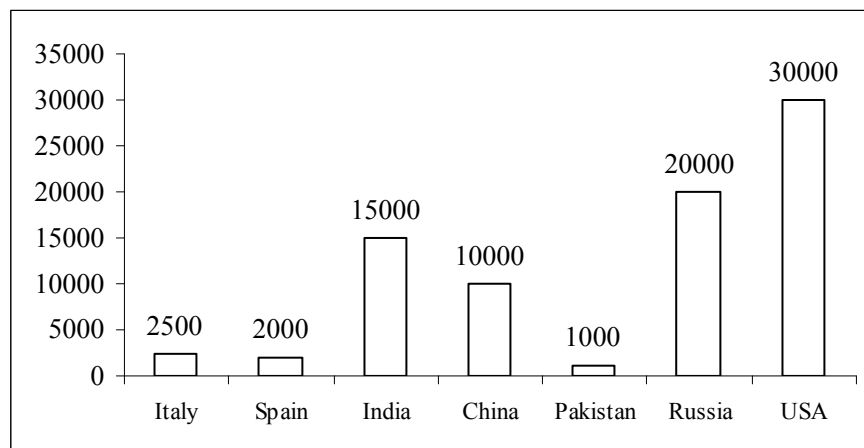
Hotels in Mumbai

Project	No. of Rooms	Estimated cost (Rs. in cr)	Year of Completion	Company
Windsor Manor	600	275	1999	HCL
Leela Hotels	310	235	1999	Leela Hotels
Mumbai Heights	250	250	1998	Bombay Hotels
Royal Holidays	536	225	1998	Lokhandwala Groups
Majestic Holidays	500	250	1999	Raheja Group
Supremo Hotel	300	300	1999	ITC
Hyatt Regency	500	250	2000	Asan Hotels

64. Which of the following had the least cost per room?
 [1] Raheja group [2] Lokhandwala group [3] IHCL [4] ITC
65. Which of the following has the maximum number of rooms per crore of rupees?
 [1] Raheja Group [2] IHCL [3] Lokhandwala Group [4] ITC
66. What is the cost incurred for projects in 1998?
 [1] Rs.500cr [2] Rs.475 cr [3] Rs.522.5 cr [4] Rs.502.5 cr
67. What is the cost in 1999?
 [1] Rs.1270 crore [2] Rs.1282.6 crore [3] Rs.1805.1 crore [4] Rs.1535 crore
68. What is the approximate cost incurred for projects completed by 2000?
 [1] Rs.2140 crore [2] Rs.1785 crore [3] Rs.2320 crore [4] None of these

Directions (Qs. 69 to 71): These questions are based on the pie charts and the bar graph given Previous below.

Sale of Life Insurance Policies In 2002 (in million dollars)



84. Recently Tata Consultancy Services (TCS) has succeeded in acquiring a big deal from Bank of China worth
[1] \$ 75 million [2] \$ 50 million [3] \$ 100 million [4] \$ 125 million
85. As per the latest estimates of Petroleum Ministry, India's refining capacity will be increased to _____ million tonnes per annum by the end of the coming 11th Plan.
[1] 220 [2] 210 [3] 230 [4] 240
86. "Beyond Scarcity: Power, Poverty and Global Water Crisis" is the theme of
[1] Human Development Report 2006 [2] Human Development Report 2005
[3] World Development Report 2005 [4] World Development Report 2006
87. Report of the Sachar Committee is related to
[1] status of the Scheduled Castes in India.
[2] social, economic and educational status of the Muslim community.
[3] economic status of Backward Classes in India.
[4] None of these
88. According to the Global Gender Gap Report, 2006 by the World Economic Forum, the country which has provided more political empowerment to women among the following is
[1] USA [2] India [3] Sri Lanka [4] Bangladesh
89. According to the Human Development Report 2006 of UNDP, the position of India in Human Development Index is
[1] 135th [2] 126th [3] 137th [4] 81st
90. Noted author and activist Arundhati Roy has been supporting the farmers of Singur in West Bengal who are resisting the State Government move to acquire land and give it to
[1] Tata Motors [2] Maruti Ltd [3] Infosys [4] Hindustan Motors
91. Year 2007 is being celebrated by India and China as the
[1] Tourism year [2] Friendship year [3] Co-operation year [4] None of these
92. The 14th Asia Pacific Economic Co-operation (APEC) 2006 Summit was held in
[1] Thailand [2] Vietnam [3] Brazil [4] China
93. In the Union Budgets in India, which one of the following is the largest in amount?
[1] Non-Plan Expenditure [2] Plan Expenditure
[3] Revenue Expenditure [4] Capital Expenditure
94. Centre for DNA Fingerprinting is located at
[1] Bangalore [2] New Delhi [3] Pune [4] Hyderabad
95. Cryogenic engines are used in
[1] atomic reactors
[2] rockets
[3] defrost refrigerators
[4] doing research connected with superconductivity
96. Threat of global warming' is increasing due to increasing concentration of
[1] Nitrous oxide [2] Ozone [3] Sulphur dioxide [4] Carbon dioxide
97. The 2008 Olympic Games will be held at
[1] Montreal [2] Beijing [3] Atlanta [4] London

98. Narain Karthikeyan is a sportsman in the field of
[1] shooting [2] car racing [3] chess [4] golf
99. El Nino is
[1] a sea storm [2] a warm ocean current
[3] a tropical disturbance [4] another name of typhoon
100. Which of the following industries are the major beneficiaries of the Mumbai port?
[1] Sugar and Cotton textile industry [2] Iron and Steel industry
[3] Cotton textile and Petrochemical industry [4] Engineering and Fertilizer industry

Directions (Qs. 101 to 104) : Fill in the blanks.

101. Professionals focus their _____ on fulfilling their responsibilities and achieving results, not on _____ a particular image.
[1] leadership – attributing [2] planning – devising
[3] abilities – contributing [4] energies – portraying
102. When you are living with your _____ values and principles, you can be straightforward, honest and _____.
[1] inherited – distinct [2] core – upfront
[3] innate – durable [4] cultural – perceptive
103. In the role of a counsellor, you are an authority figure whose objective is to _____ attentively and sensitively to employees who _____ you with their feelings.
[1] manage – direct [2] projects – focus
[3] listen – trust [4] concentrate – believe
104. If a junior executive neglects his professional development and _____ education, he can easily and quickly become obsolete in a world changing at _____ rates.
[1] higher – vulnerable [2] management – voluminous
[3] better – supreme [4] continuing – dizzying

Directions (Qs. 105 to 108): Each of these questions has an underlined part. Choose the option that best replaces the underlined part. Answer option ([2]) repeats the original.

105. The political masters of the health care system have not listened to professional health planners because it has not been profitable for them to do that thing.
[1] has not been profitable for them to do so.
[2] has not been profitable for them to do that thing.
[3] has been unprofitable for them to do that thing.
[4] has been unprofitable for them to do so.
106. Most bacterial population grown in controlled conditions will quickly expand to limit the food supply, produce toxic waste products that inhibit further growth, and reached and equilibrium state within a relatively short lime.
[1] will have produced toxic waste products that inhibit further growth and also will reach an equilibrium stale within a relatively short
[2] produce toxic waste products that inhibit further growth, and reached and equilibrium state within a relatively short time.
[3] will then produce a toxic waste product that inhibits further growth and thus reached an equilibrium stale in a very short time.
[4] produce toxic waste products that inhibit further growth and reach equilibrium.

107. It could be argued that the most significant virtue of a popular democracy is not the right to participate in the selection of leaders, but rather that it affirms our importance in the scheme of things.
[1] but rather is affirmation of
[2] but rather that it affirms
[3] but rather it's affirmation in terms of
[4] but instead of that, its affirming that
108. Long popular among the connoisseurs of Indian music. Ravi Shankar first impressed western listeners with his phenomenal technical virtuosity, but they soon came to appreciate his music as an artful expression of an older culture's musical insight.
[1] but it soon occurred that they appreciated his artful music as an
[2] but they soon came to appreciate his music as an artful
[3] but soon this was surpassed by an appreciation of it as an artful
[4] which was soon surpassed by an even deeper appreciation of it as an artful

Directions (Qs. 109 to 112): Each question has a group of sentences marked A, B, C, and D. Arrange these to form a logical sequence.

109. A. We tend to see the similarity within a category as being more important, and the similarity between different categories as being less important, than either actually is.
B. Given a small amount of information about a person, we are ready to classify them as a member of a particular group, and then to infer all kinds of additional facts about them, as if all members of the group were the same in most respects.
C. Our tendency to classify and label everything can lead us into the error of seeing the world as made up of only those categories for which we have names.
D. Expecting too much of the descriptive power of languages is itself a serious cause of distorted thinking.
[1] DCBA [2] DBAC [3] BDAC [4] BCDA
110. A. Some of us, as a result, gain an overall impression of people as either all good or all bad, making further assumptions on this basis.
B. An example is the assumption some patients make that doctors with a good "bedside manner" are also more technically competent as others who do not relate as well to their patients.
C. This is what the psychologists refer to as halo effect.
D. We have a strong tendency to associate positive attributes with other positive attributes and negative ones with each other.
[1] DCBA [2] DABC [3] DBCA [4] DACB
111. A. In the past, the customized tailoring units were localized to the township or city and catered exclusively to domestic demand.
B. Traditionally, Indians preferred custom-made clothing and the concept of ready-to-wear is a relatively recent one.
C. Consumer awareness of styling issues and the convenience afforded by ready-to-wear helped the RMG industry make small inroads into the domestic market in the 1980s.
D. The customized tailoring outfits have always been a major source of clothing for domestic market.
[1] BDAC [2] BCDA [3] CDBA [4] DBAC
112. A. Participation involves more than the formal sharing of decisions.
B. Through anticipation, individuals or organizations consider trends and make plans, shielding institutions from trauma of learning by shock.
C. Innovative learning involves both anticipation and participation.
D. It is an attitude characterized by the co-operation, dialogue and empathy.
[1] ABCD [2] BCDA [3] CBAD [4] DABC

Directions (Qs. 113 to 116): Each of these questions has a sentence with four alternatives. Choose the alternative which best conveys the content of the given sentence correctly.

113. No officer had ought to be put into a situation where he has to choose between his love for his family and the responsibilities accompanying his duty.
- [1] No officer had ought to be put into a situation in which he has to choose between his love for his family and the responsibilities accompanying his duty.
 - [2] No officer had ought to be put into a situation where he has to choose between his love for his family and the responsibilities accompanying his duty.
 - [3] No officer should be put into a situation where he has to choose between his love for his family and the responsibilities accompanying his duty.
 - [4] No officer ought to be put into a situation in which he has to choose between his love for his family and the responsibilities accompanying his duty.
114. Being a realist, the detective could not accept the statement of the accused that UFOs had caused the disturbance.
- [1] Since he was a realist, the detective could not accept the statement of the accused that UFOs had caused the disturbance.
 - [2] Being a realist, the detective could not accept the statement of the accused that UFOs had caused the disturbance.
 - [3] Being that he was a realist, the detective could not accept the statement of the accused that UFOs had caused the disturbance.
 - [4] Realist that he was, the detective could not accept the statement of the accused that UFOs had caused the disturbance.
115. Ever since the sting operation, there has been much opposition from they who maintain that it was an unauthorised act.
- [1] Ever since the sting operation, there has been much opposition from they who maintain that it had been an unauthorised act.
 - [2] Ever since the sting operation, there has been much opposition from they who maintain that it was an unauthorised act.
 - [3]. Ever since the sting operation, there has been much opposition from those who maintain that it was an unauthorised act.
 - [4] Ever since the sting operation, there has been much opposition from those maintaining that it was an unauthorised act.
116. The trend toward a decrease in the working hours is already evident in the longer weekend given to employees in many multinational organizations.
- 1) The trend toward a decrease in the working hours is all ready evident in the longer weekend given to employees in many multinational organisations.
 - [2] The trend toward a decrease in the working hours is already evident in the longer weekend given to employees in many multinational organisations.
 - [3] The trend toward a decrease in the working hours is already evident in the longer weekend given to employees in many multinational organisation.
 - [4] The trend toward a decrease in the working hours is all in already evident in the longer weekend given to employees in many multinational organisations.

Directions (Qs. 117 to 120) : Attempt these questions independent of each other.

117. Many of the junk foods on the market today, doughnuts, burgers and pizza, have less nutrients than natural foods, which were dominant a decade or two ago. Many nutritionists claim that pizza and doughnuts give less nourishment than natural foods. A spokesman of a leading junk food company —Pizza House — stated recently that an examination of grade school students shows less

- nutritional deficiency than in their parents' time. Hence, junk foods are not as bad as made out to be. Which of the following, if true, would tend to strengthen the view of the spokesman?
- [1] Fewer junk foods were available to the parents.
 - [2] Grade school children reported eating no breakfast at all.
 - [3] Adults claim to eat junk foods as well as natural foods.
 - [4] Both ([1] and ([3])
118. Throughout the first decade of the 21st century, net increases in Indian direct investments in the Far East (funds outflows) exceeded net new Far East direct investment in India. Each of the following, if true, could help to account for this trend except
- [1] Labour mobility was higher in India than in the Far East
 - [2] Land values in the Far East were increasing at a faster rate than in India.
 - [3] The cost of labour (wages) was consistently lower in the Far East than in India.
 - [4] Corporate liquidity was lower in India than in the Far East.
119. Of the world's largest AIDS cases countries in 2010, three had the same share of world AIDS patients as they had in 2000. These three countries may serve as examples of countries that succeeded in holding steady their share of the AIDS disease. Which of the following, if true, would most seriously undermine the idea that these countries serve as examples as described above?
- [1] Countries should strive to reduce their share of the total AIDS patients in the world, rather than try to hold it constant.
 - [2] Of the three countries two had a much larger share of world AIDS incidence in 2000 than in 2010.
 - [3] The three countries have different rates of population growth.
 - [4] None of these
120. The cost of housing in many urban parts of India has become so excessive that many young couples, with above-average salaries, can only afford small apartments. EMI and rent commitments are so huge that they cannot consider the possibility of starting a family since a new baby would probably mean either the mother or father giving up a well-paid position — something they can ill-afford. The lack of or great cost of child-care facilities further precludes the return of both parents to work. Which of the following adjustments could practically be made to the situation described above which would allow young couples to improve their housing prospects?
- [1] Encourage couples to have one child only.
 - [2] Encourage couples to remain childless.
 - [3] Encourage young couples to move to cheaper areas for living.
 - [4] None of these is likely to have an impact on the current situation.
121. The World Trade Organization (WTO) was earlier known as
- [1] UNICEF
 - [2] GATT
 - [3] UNCTAD
 - [4] FAO
122. What is Value Added Tax (VAT)?
- [1] A new initiative taken by the Government to increase the tax burden of high-income groups
 - [2] A simple, transparent, easy-to-pay tax imposed
 - [3] A single tax that replaces State taxes like surcharge, turnover tax, etc
 - [4] A new tax to be imposed on the producers of capital goods
123. The outcome of 'devaluation of currency' is
- [1] increased export and foreign reserve deficiency
 - [2] increased export and improvement in balance of payments
 - [3] increased import and improvement in balance of payments
 - [4] increased export and import

124. The common currency which has been introduced among 11 European nations is known as
[1] Euro [2] Euro Pound [3] Euro Dollar [4] None of these
125. Nuclear reactors used to produce electricity are based on
[1] nuclear fusion [2] nuclear fission [3] cold fusion [4] superconductivity
126. Who amongst the following was the head of the Investment Commission which submitted its report to the Government of India recently?
[1] Dr Rakesh Mohan [2] Mr Ratan Tata
[3] Mr Kumar Mangalam Birla [4] Mr Rahul Bajaj
127. Mr Arvind Kejriwal who got the Ramon Magsaysay Award 2006, is the founder of which of the following NGOs?
[1] Aawahan [2] Sankalp [3] Parivartan [4] Sammelan
128. Which bank has launched a new health cover scheme under the name of "Arogya Shree"?
[1] PNB [2] SBI [3] AndhraBank [4] OBC
129. The Eleventh Five Year Plan has been named as
[1] Towards Fast and More Inclusive Growth'
[2] Towards Infrastructural and Agricultural Growth'
[3] Towards Rapid Educational and Economical Growth'
[4] None of these
130. Which of the following State Governments has decided to provide health insurance to people living below the poverty line with effect from January 2007?
[1] Andhra Pradesh [2] Orissa [3] Karnataka [4] West Bengal
131. In November 2006. Prime Minister Dr Manmohan Singh and Chinese President Hu Jintao signed how many agreements including the Bilateral Investment Protection Agreement, in New Delhi?
[1] 11 [2] 15 [3] 13 [4] 9
132. What is the position of Tatas, the largest Indian group in terms of revenues and market capitalisation, in the Forbes' list of world's most reputed companies?
[1] 20th [2] 18th [3] 22nd [4] 24th
133. The Indian Railways has decided to start how many new luxury' trains on the line of "Palace on Wheels to ensure foreign customer?
[1] 6 [2] 4 [3] 10 [4] 15
134. ASEAN, the major trade block of the world, consists of the following nations
[1] Indonesia, Malaysia, Thailand, Philippines and Singapore
[2] India, Bangladesh, Myanmar, Sri Lanka and Pakistan
[3] Indonesia, India, Thailand, Malaysia and Singapore
[4] Vietnam, Thailand, Mauritius, Singapore and Philippines
135. The states through which the Cauvery river flows
[1] Kerala, Karnataka and Tamil Nadu
[2] Andhra Pradesh, Karnataka and Tamil Nadu
[3] Kerala, Andhra Pradesh and Tamil Nadu
[4] Maharashtra, Karnataka and Tamil Nadu

136. Which one of the following is not correctly matched?
[1] White Revolution – Dairy
[2] Green Revolution – Agriculture
[3] Blue Revolution – Fishery
[4] Red Revolution – Wool
137. Which one of the following is not a department in the Ministry of Human Resource Development?
[1] Department of Secondary' Education and Higher Education
[2] Department of Elementary Education and Literacy
[3] Department of Technical Education
[4] Department of Woman and Child Development
138. In India, National Income is estimated by
[1] Central Statistical Organisation
[2] Planning Commission
[3] Indian Statistical Institute
[4] National Sample Survey Organisation
139. Which state in the country has the largest number of districts?
[1] Maharashtra [2] Madhya Pradesh [3] Tamil Nadu [4] Uttar Pradesh
140. Who among the following has been given World Citizenship Award' 2006?
[1] Jimmy Carter [2] Kofi Annan [3] Bill Clinton [4] Ronald Reagan
141. A man received Rs. 12000 as Puja Bonus. He invested a pan of it at 5% per annum and the remaining at 6% per annum, simple interest being allowed in each case. The total interest earned by him in 4 years is Rs 2580. The sum invested at 5% per annum is
[1] Rs. 4500 [2] Rs. 4000 [3] Rs. 7500 [4] Rs. 8000
142. A finance company declares that, at a certain compound interest rate, a sum of money deposited by anyone will become 8 times in three years. If the same amount is deposited at the same compound rate of interest, then in how many years will it become 16 times?
[1] 5 years [2] 4 years [3] 6 years [4] 7 years
143. In an examination, a pupil's average marks was 63 per paper. If he had obtained 20 more marks for his Geography paper and 2 more marks for his History paper, his average per paper would have been 65. How many papers were there in the examination?
[1] 9 [2] 8 [3] 10 [4] 11
144. A boatman rows to a place 45 km distant and back in 20 hours. He finds that he can row 12 km with the stream in the same time as 4 km against the stream. Find the speed of the stream.
[1] 3 km/hr [2] 2.5 km/hr [3] 4 km/hr [4] Can't be determined
145. Two cyclists start on a circular track from a given point but in opposite directions with speeds of 7 m/sec and 8 m/sec respectively. If the circumference of the circle is 300 metres, after what time will they meet at the starting point?
[1] 100 sec [2] 20 sec [3] 300 sec [4] 200 sec
146. In an objective examination of 90 questions. 5 marks is allotted for every correct answer and 2 marks is deducted for every wrong answer. After attempting all the 90 questions a student got a total of 387 marks. Find the number of questions that he attempted wrong.
[1] 36 [2] 18 [3] 9 [4] 27

147. Ram went to a shop to buy 50 kg of rice. He buys two kinds of rice which cost him Rs 4.50 per kg and Rs 5.00 per kg. He spends a total of Rs 240. What was the quantity of rice bought which cost him Rs 4.50 per kg?
[1] 25 kg [2] 30 kg [3] 20 kg [4] None of these
148. Seema invested an amount of Rs.16,000 for two years on compound interest and received an amount of Rs.17,640 on maturity. What is the rate of interest?
[1] 5 pepa [2] 8 pepa [3] 4 pepa [4] Data inadequate
149. My Scooty gives an average of 40 kmpl of petrol. But after recent filling at the new petrol pump, its average dropped to 38 kmpl. I investigated and found out that it was due to adulterated petrol. Petrol pumps add kerosene, which is $\frac{2}{3}$ cheaper than petrol, to increase their profits. Kerosene generates excessive smoke and knocking and gives an average of 18 km per 900 ml. If I paid Rs.30 for a litre of petrol, what was the additional amount the pump-owner was making?
[1] Rs.1.75 [2] Rs.1.80 [3] Rs.2.30 [4] Rs.2
150. A train after travelling 150 km meets with an accident and then proceeds at $\frac{3}{5}$ of its former speed and arrives at its destination 8 hours late. Had the accident occurred 360 km further, it would have reached the destination 4 hours laic. What is the total distance travelled by the train?
[1] 960 km [2] 870 km [3] 840 km [4] 1100 km
151. In an engineering college the average salary of all engineering graduates from Mechanical trade is Rs.2.45 lacs per annum and that of the engineering graduates from Electronics trade is Rs.3.56 lacs per annum. The average salary of all Mechanical and Electronics graduates is Rs.3.12 lacs per annum. Find the least number of Electronics graduates passing out from this institute.
[1] 43 [2] 59 [3] 67 [4] Can't be determined
152. There are two identical vessels X and Y. Y is filled with water to the brim and X is empty. There are two pails A and B, such that B can hold half as much water as A. One operation is said to be executed when water is transferred from Y to X using A once and water is transferred to Y from X using B once. If A can hold $\frac{1}{2}$ a litre of water and it takes 40 operations to equate the water level in X and Y. what is the total volume of water in the system?
[1] 20 litres [2] 10 litres [3] 40 litres [4] 20 litres
153. In a class with a certain number of students, if one student weighing 50 kg is added then the average weight of the class increases by 1 kg. If one more student weighing 50 kg is added then the average weight of the class increases by 1.5 kg over the original average. What is the original average weight (in kg) of the class?
[1] 4 [2] 46 [3] 2 [4] 47
154. The average monthly salary of employees, consisting of officers and workers, of an organisation is Ks 3,000. The overage salary of an officer is Rs.10.000 while that of a worker is Rs.2.000 per month. If there is a total of 400 employees in the organisation, find the number of officers.
[1] 60 [2] 50 [3] 80 [4] 40
155. Two vessels contain mixtures of milk and water in the ratio of 8 : 1 and 1 : 5 respectively. The contents of both of these are mixed in a specific ratio into a third vessel which was empty. How much mixture must be drawn from the second vessel to fill the third vessel (capacity 26 gallons) completely in order that the resulting mixture may be half milk and half water?
[1] 12 gallons [2] 14 gallons [3] 10 gallons [4] 13 gallons
156. A man can row 4.5 km/hr in still water and he finds that it takes him twice as long to row up as to row down the river. Find the rate of the stream.
[1] 1.5km/hr [2] 2 km/hr [3] 2.5 km/hr [4] 1.75 km/hr

157. The work done by a woman in 8 hours is equal to the work done by a man in 6 hours and by a boy in 12 hours. If working 6 hours per day 9 men can complete a work in 6 days, then in how many days can 12 women and 12 boys together finish the same work, working 8 hours per day?
- [1] $3\frac{2}{3}$ days [2] $4\frac{1}{2}$ days [3] 3 days [4] 4 days
158. A team of workers was employed by a contractor who undertook to finish 360 pieces of an article in a certain number of days. Making four more pieces per day than was planned, they could complete the job a day ahead of schedule. How many days did they take to complete the job?
- [1] 10 days [2] 8 days [3] 9 days [4] 12 days
159. Rahul can row a certain distance downstream in 6 hours and return the same distance in 9 hours. If the speed of Rahul in still water is 12 km/hr, find the speed of the stream.
- [1] 2 km/hr [2] 2.4 km/hr [3] 3 km/hr [4] Data inadequate
160. Large, medium and small ships are used to bring water. 4 large ships carry as much water as 7 small ships. 3 medium ships carry the same amount of water as 2 large ships and 1 small ship. 15 large, 7 medium and 14 small ships, each made 36 journeys and brought a certain quantity of water. In how many journeys would 12 large, 14 medium and 21 small ships bring the same quantity?
- [1] 32 [2] 25 [3] 29 [4] 49

Directions (Qs. 161 to 176): Read the passages to answer the questions that follow each passage.

Passage - I

After President George W Bush signed the United States-India Nuclear Cooperation Bill, he called up Prime Minister Manmohan Singh to tell him how pleased he was at this development. While welcoming this event, the Prime Minister took the opportunity to tell the President that there remained areas of concern that needed to be addressed during the negotiation of the bilateral agreement (called the 123 agreement, after the relevant clause number in the US Atomic Energy Act, 1954). The US has entered into some twenty-five 123 agreements with various countries, including the one concerning Tarapur. The Tarapur agreement concluded in 1963 was unique in that it guaranteed supplies of enriched uranium fuel from the US for running the Tarapur reactors for their entire life. However, after 1978 the US did not supply fuel saying its domestic legislation (under the Nuclear Non-Proliferation Act) prevented it from doing so. India argued that Tarapur was an inter-governmental agreement and hence it had to be honoured by the US. But to no avail. However, later, the US allowed France to supply fuel to India. Subsequently, the USSR (now Russia) and even China supplied fuel to Tarapur. The lesson from the Tarapur episode is that US breached with impunity even a cast-iron guarantee it had furnished. Considerable bitterness grew between the US and India and extended to many other areas beyond the nuclear one. When India agreed, reluctantly, in March 2006 to put imported reactors under "safeguards in perpetuity", the US consented to the Indian insistence on assurances of fuel supply. This meant India could build up a stockpile of fuel to tide over disruption in supply and the US would agree to work with other countries, namely Russia, France, and Britain, to arrange alternate supplies. The US legislation, based on the Hyde Bill, forbids India building up a stockpile of nuclear fuel. It also obligates the US administration to work with other Nuclear Supplier Group countries to get them to suspend supplies to India, if the US has done so under some provision of the Hyde Bill. It is not evident how the US can address the legitimate concerns of India on continued fuel supply, given the boundaries set by the Hyde Bill. With regard to future nuclear tests, the Prime Minister has said, India is only committed to a voluntary moratorium. A moratorium is only a temporary holding off of an activity, conditioned by specific circumstances that obtained at the time when such a declaration was made. It cannot be construed as a permanent ban. The Hyde Bill has sought to make the moratorium into a permanent ban. However, there is no such restraint imposed on the US, China, Pakistan or any other country. In bringing up this issue, I do not wish to suggest that I favour a resumption of tests by India. But India cannot prevent other countries from

Chinese and 15 non-Chinese, weren't there more professionals from mainland China presenting research on the indigenous people? Michael Philips, a psychiatrist who works in Hubei Province, explained: "The Cultural Revolution silenced and froze the research," said the Canadian-born doctor who has lived and worked in China for more than 10 years. "And 12 years later, research is under way but it is too early to have anything yet. Besides, most of the models being used are from the West anyway." In such a specialised field, how can non-Chinese academics do research without possessing fluency in Chinese? Those who cannot read, write or speak the language usually team up with Chinese colleagues. "In 10 years, we won't be able to do this. It's a money thing," said William Gabrenya of Florida Institute of Technology, who described himself as an illiterate Gweilo who lacks flu-

Papers for Management Aptitude Test (MAT)

ency in Chinese. He said that 93 per cent of the non-Chinese authors in his field cannot read Chinese. Dr Gabrenya raised questions such as; why is research dependent on university students, why is research done on Chinese people in coastal cities (Singapore, Taiwan, Shanghai and Hong Kong) but not inland? "Chinese psychology is too Confucian, too neat. He's been dead a long time. How about the guy on a motorcycle in Taipei?" Dr. Gabrenya said, urging that research have a more contemporary outlook.

The academics came from Israel, Sweden, Taiwan, Singapore, United States, British Columbia and, of course, Hong Kong. Many of the visual aids they used by way of illustration contained eye-squinting type and cobweb-like graphs. One speaker, a sociologist from Illinois, even warned her colleagues that she would not give anyone enough time to digest the long, skinny columns of numbers. Is Chinese intelligence different from Western? For half of the audience who are illiterate in Chinese, Professor Jimmy Chan of HKU examined each of the Chinese characters for "intelligence". Phrases such as "a mind as fast as an arrow" and connections between strokes for sun and the moon were made. After his 25-minute speech, Chan and the group lamented that using Western tests are the only measure available to psychologists, who are starving for indigenous studies of Chinese by Chinese. How do Chinese children learn? David Kember of Hong Kong Polytechnic University zeroed in on deep learning versus surface. Deep is when the student is sincerely interested for his own reasons. Surface is memorising and spitting out facts. It doesn't nurture any deep understanding. If the language of instruction happens to be the children's second language, students in Hong Kong have all sorts of challenges with English-speaking teachers from Australia, Britain and America with accents and colloquialisms. Do Westerners have more self-esteem than Chinese? Dr Leung Kwok, chairman of the psychology department of Chinese University, points his finger at belief systems: the collectivist mindset often stereotypes Chinese unfairly. The philosophy of "yuen" (a concept used to explain good and bad events which are predetermined and out of the individual's control) does not foster a positive self-concept. Neither do collectivist beliefs, such as sacrifice for the group, compromise and importance of using connections. "If a Chinese loses or fails, he has a stronger sense of responsibility. He tends to blame it on himself. A non-Chinese from the West may blame it on forces outside himself," Dr Leung said. By the end of the three-day session, there were as many questions raised as answered. It was agreed there was room for further research. To the layman, so much of the discussion was foreign and riddled with jargon and on-going references to studies and researchers. The work of the participants will resurface in a forthcoming *Handbook of Chinese Psychology*, which will be edited by Dr Bond

165. According to the passage, the author suggests that

- [1] not many people study Chinese psychology.
- [2] the building is in danger of attack.
- [3] Chinese psychology is a difficult subject to study.
- [4] Chinese psychology is a difficult subject to organize.

166. It can be inferred from the passage that

- [1] the Cultural Revolution was a productive period for Chinese psychology.
- [2] the Cultural Revolution was a dangerous period for Chinese psychology.
- [3] the Cultural Revolution was an unproductive period for Chinese psychology.
- [4] the Cultural Revolution was a new beginning for Chinese psychology.

167. According to the passage. William Gabrenya refers to himself as an 'illiterate Gweilo'. This suggests that
- [1] he feels defensive about not speaking and reading Chinese.
 - [2] he feels secure in his illiteracy.
 - [3] he is representative of other westerners active in this field.
 - [4] he can operate perfectly well without learning Chinese.
168. According to the passage, all of the following are true except
- [1] the visual aids were not very easy to understand.
 - [2] the conference attracted a very professional standard of presentation.
 - [3] the visual aids were not very tidy.
 - [4] the presenters were under time pressure.
169. According to the passage, which of the following is not true?
- [1] Chinese characters are very difficult for westerners to muster.
 - [2] It is difficult to come to a conclusion about western and Chinese intelligence.
 - [3] It is difficult to measure Chinese intelligence with western tests.
 - [4] More tests are required that are conducted by the Chinese for the Chinese.

Passage – III

"Since wars begin in the minds of men," so runs the historic UNESCO Preamble, "it is in the minds of men that the defences of peace must be constructed." Wars erupt out when the minds of men are inflamed, when the human mind is blinded and wounded, succumbs to frustration and self-negation. War is the transference of this self-negation into the other negation. The three Indo-Pak wars and the persisting will to terrorise have emanated from this savage instinct of other-negation that is the legacy of the partition carnage and its still-bleeding and unhealed wound. Truncated from its eastern wing in 1971, Pakistan ever since has suffered from a sense of total existential self-negation. Plus the scars left by the two previously lost wars 10 India and Kargil fill the Army and the Pakistan psyche with a seething urge to revenge: that India has to be negated, destroyed — in a deep psychological sense, another Hiroshima in the subcontinent is imaginable and possible. Terrorism in Kashmir springs from such deep negating existential grounds. Like the former Soviet Union, Pakistan came into being as a result of a grand delusion and massive perversion of reality — the so called two-nation theory, like the former Soviet Union, it stands in danger of crumbling unless it modifies its reality perception and comes to terms with its post-Bangladesh identity within the prevailing subcontinental equation. Failing this, Pakistan is bound to break up, nudging the region to a nuclear nightmare, including possible South Asian Hiroshimas. With riot pursuits and 'surgical operations' freely making rounds among the policy elite and the public at large, the national atmosphere looks ominously charged. 'On the brink,' headlines *The Week*, adding, "As men and machines are quickly positioned by India and Pakistan, the threat of war looms real." To which Gen Musharraf counters, "If any war is thrust on Pakistan, Pakistan's armed forces and the 140 million people of Pakistan are fully prepared to face all consequences with all their might.* According to *Indian Express*, "Pakistan has deployed medium range ballistic missile batteries (MRBBs) along the Line of Control (LoC) near Jammu and Poonch, sectors in an action that will further escalate the tension between the two countries." And India's Defence Minister ups the ante, "We could take a (nuclear) strike, survive and then hit back; Pakistan would be finished." (*Hindustan Times*, December 30,2001). Mr Fernandes's formulation is certainly a tactical super shot, even a strategical super hit inasmuch as this is the very logic of India's 'no-first-strike' doctrine. The Defence Minister obviously has no idea of the ethical, phenomenological implications of abandoning chunks of the Indian population to ransom for potential Hiroshimas and then 'finishing' the neighbouring country of 140 million in what could be nothing short of an Armageddon. Forget these horrendous scenarios. But does this not repudiate the grain of truth for which India's civilisation stood for and vindicated across the untold millennia of its history? Yet, Mr Fernandes, the pacifist and Gandhian, is no warmonger. As Defence Minister he had to react at a level with the Pakistanis, with their proclivity to drop the nuclear speak whenever that suited them, could have registered the message.

NCL reflects two tendencies. First, the formation of such a federation highlights that despite the problems in organising workers in the informal sector, there have, in fact, been a range of organisations which have sought to address these issues. On a collective plane, their activities represent a marked departure from the traditional way of conceptualising union activities exclusively around organised or formal sector workers. Thus, the unionisation of the hitherto unorganised sector has become inserted into the political universe as a possible and legitimate activity. Second, the formation of the NCL, to an extent, overturns the pessimistic logic that the interests of the unorganised sector — given their diverse and inchoate form — cannot be articulated from a single platform. For the NCL aims precisely, do not only provide an anchoring for these diverse organisations, but more importantly, articulate the need for institutionalised norms of welfare which can apply to the unorganised sector as a whole. It is in the context of this generalised movement that one needs to view recent efforts to bring in legislative acts which seek to create a new framework of laws and institutions addressing the needs of the unorganised sector. One of the major problems that has dogged this sector has of course been that of implementation. Thus, for example, while there is a stipulated minimum wage for most industries, this is frequently flouted by employers. A central objective of the NCL has been to advocate legislation to create agencies, which would mediate between the employer and the employee, to institutionalise certain guarantees of welfare and security to the employee. Thus, for example, the State-Assisted Scheme of Provident Fund for Unorganised Workers, 2000, proposed by the Labour Department of the Government of West Bengal, introduces the mechanism of a Fund which will be contributed to by the worker (wage-earner or self-employed person), the employer, and the Government and to which the worker would be entitled at the age of 55 or above. By registering a worker to this programme and issuing an identity card, the initial hurdle of identifying a large mass of scattered workers is overcome, and a step is taken towards institutionalising their legitimate claims against the employers and from the State. The Karnataka Unorganised Workers (Regulation of Employment and Conditions of Work) Bill, 2001, offers a more comprehensive framework for addressing the unorganised sector's needs. It envisages the formation of a Fund and a Board, in each sector. The Board, consisting of members from the Government, employers and employees, would be responsible for administering the Fund. Employers must compulsorily pay towards the Fund, a certain fixed percentage of the wages or taxes payable by them, or a certain percentage of the cost of their project, (for example, in construction projects). The concept of the Fund is designed to create the financial viability of social security for workers, and to provide a structure for employers contribution. Thus, workers would be insured for accident and illness, old age, and unemployment. The Board is designed to provide a mechanism to ensure the working of the Fund, and essentially, to institutionalise workers claims against employers through an empowered agency. In the broader context of economic Liberalisation, recently proposed labour reforms seek to extend the scope of contract employment and to facilitate worker lay-off. As casualisation of labour now seems an irreversible trend, the Bills outlined above would appear to be the only way to ensure workers' interest. To this extent, organisations such as the NCL, which have systematically struggled to push for such legislation, are serving an invaluable historical purpose. As the Karnataka Unorganised Workers Bill awaits endorsement during the Assembly sessions being held currently, for the protagonists of the movement, this would be a watershed, but, nevertheless only a moment in a struggle that needs to be waged at multiple points and to evolve to newer heights.

174. According to the passage, the proposed labour reforms
- [1] will provide a much needed thrust to liberalization.
 - [2] will encourage the practice of hiring labourers on a contract basis.
 - [3] have resulted in casualisation of labour
 - [4] seek to extend the scope of employment and to facilitate worker retrenchment.
175. According to the passage, textile mill workers could not obtain compensation because
- [1] the number of workers available for pressing their claims was not adequate.
 - [2] they were not united.
 - [3] of the weakness of the struggle.
 - [4] the motivation of the leaders was very low

176. According to the passage, the most important aspect of the NCL is that
[1] it has given a voice to the interests of workers in the unorganised sector.
[2] it is on apex body of independent trade unions.
[3] it has 6,25,000 members spread over 10 states in India.
[4] it is the only body of its kind in India.

Directions (Qs. 177 to 180): Each of these questions has four parts. Identify the part which is not correct.

177. [1] No sooner he left the office / [2] than it started / [3] raining heavily / [4] enough to make him completely wet.
178. [1] Even after hearing the leader / [2] for a long time / [3] the followers could not make out / [4] which he was talking about.
179. [1] The principal along with the teachers / [2] were seen boarding a bus / [3] to go to a picnic / [4] on a national holiday.
180. [1] With the introduction of the new syllabus / [2] the number of colleges reporting / [3] high results are decreasing / [4] year after year.
181. A train 300 m long is running at a speed of 90 km/hr. How many seconds will it take to cross a 200 m long train running in the opposite direction at a speed of 60 km/hr?
[1] $7\frac{1}{5}$ [2] 60 [3] 12 [4] 20
182. Out of eight crew members three particular members can sit only on the left side. Another two particular members can sit only on the right side. Find the number of ways in which the crew can be arranged so that four men can sit on each side.
[1] 864 [2] 865 [3] 863 [4] 1728
183. Three pipes are made of different shapes The cross-sections of the pipes are an equilateral triangle, a hexagon and a circle. The perimeter of each of these cross-sections is equal. The flow through the pipes is proportional to the area of cross-section. If it takes 8 minutes for the triangular pipe to fill up the tank, what will be the difference in the times taken by the hexagonal and circular pipes?
[1] 45 seconds [2] 1 minute [3] 1.5 minutes [4] 7.9 minutes
184. An iron cube of size 10 cm is hammered into a rectangular sheet of thickness 0.5 cm. If the sides of the sheet be in the ratio 1 : 5, then the sides are
[1] 20 cm, 100cm [2] 10 cm, 50 cm [3] 40 cm, 200 cm [4] None of these
185. A portion of a 30-m-long tree is broken by a tornado and the top strikes the ground making an angle of 30° with the ground level. The height of the point where the tree is broken is equal to
[1] 10 m [2] $\frac{30}{\sqrt{3}}$ m [3] $30\sqrt{3}$ m [4] 60 m
186. Fresh grapes contain 80 per cent water while dry grapes contain 10 per cent water. If the weight of dry grapes is 250 kg what was its total weight when it was fresh?
[1] 1000 kg [2] 1125 kg [3] 1225 kg [4] 1100 kg
18. A dealer buys dry fruit at the rate of Rs.100, Rs.80 and Rs.60 per kg. He bought them in the ratio 12 : 15 : 20 by weight. He in total gets 20% profit by selling the first two and at last he finds he has no gain no loss in selling the whole quantity which he had. What was the percentage loss he suffered for the third quantity?
[1] 40% [2] 20% [3] 30% [4] 50%
188. A man sitting in a tram travelling at the rate of 50 km/hr observes that it takes 9 sec for a goods train travelling in the opposite direction to pass him. If the goods train is 187.5 m long, find its speed.
[1] 40 km/hr [2] 25 km/hr [3] 35 km/hr [4] 36 km/hr

189. Amit Kumar got a 4–digit pass code (which is formed out of the digits 0, 1, 2, 3, 4, 5, 6, 7, 8, 9) of his ATM card from ICICI Bank. But after the 50th day he lost the pass code and also forgot the number. How many maximum number of trials may he have to take to get the right number? 0 can be the beginning of the code number.
[1] 10! [2] 10^4 [3] 9^4 [4] 9!
190. The length of a ladder is exactly equal to the height of the wall it is leaning against. If the lower end of the ladder is kept on a stool of height 3 m and the stool is kept 9 m away from the wall, the upper end of the ladder coincides with the top of the wall. Then the height of the wall is
[1] 15 m [2] 12 m [3] 18 m [4] 11 m
191. If three equal cubes are placed adjacently in a row, then the ratio of the total surface area of the new cuboid to the sum of the surface areas of the three cubes will be
[1] 5 : 9 [2] 1 : 3 [3] 2 : 3 [4] 7 : 9
192. The Qutab Minar casts a shadow 150 m long at the same time when the Vikas Minar casts a shadow 120 m long on the ground. If the height of the Vikas Minar is 80 m. find the height of the Qutab Minar.
[1] 100 m [2] 180 m [3] 150 m [4] 120 m
193. Due to a global recession starting in January. Ram's monthly salary of Rs.8000 was cut by 10%. The monthly expenses, which were Rs.6000, increased at the rate of 5% per month. Since which month will he have no savings if the recession lasted for a year?
[1] April [2] March [3] May [4] June
194. An oil refinery takes 100 litres of crude oil as input and after refining for 1 hour gives certain amount of output oil X litres. This can be sold in the market at a profit of Rs.30 per litre. If this oil is further refined for an hour it gives oil Y litres. This can be sold at a profit of Rs.50 per litre. Output and input ratio at both the stages is 90%. The maximum amount that can be earned from 1000 litres of crude input is
[1] Rs.30,000 [2] Rs.27,000 [3] Rs.40,000 [4] Rs.40,500
195. The radius of a cylindrical cistern is 10 metres and its height is 15 metres. Initially the cistern is empty. We start filling the cistern with water through a pipe whose diameter is 50 cm. Water is coming out of the pipe at a velocity of 5 m/s. How many minutes will it take to fill the cistern with water?
[1] 20 [2] 40 [3] 60 [4] 80
196. If m and n are natural numbers such that $2^m - 2^n = 960$, what is the value of m?
[1] 10 [2] 12 [3] 16 [4] Can't be determined
197. If an angle of a triangle remains unchanged but each of its two including sides is doubled, then by what factor does the area get multiplied?
[1] 2 [2] 3 [3] 4 [4] 6
198. A number when divided by 765 leaves a remainder 42. What will be the remainder if the number is divided by 17?
[1] 8 [2] 7 [3] 6 [4] 5
199. If 11,109,999 is divided by 1111, then what is the remainder?
[1] 1098 [2] 1188 [3] 1010 [4] 1110
200. A mixture (40 litres) contains lime and water in the ratio 3 : 1. To make the ratio 5 : 2. How much additional amount of water is required?
[1] 5 litres [2] 4 litres [3] 3 litres [4] 2 litres

